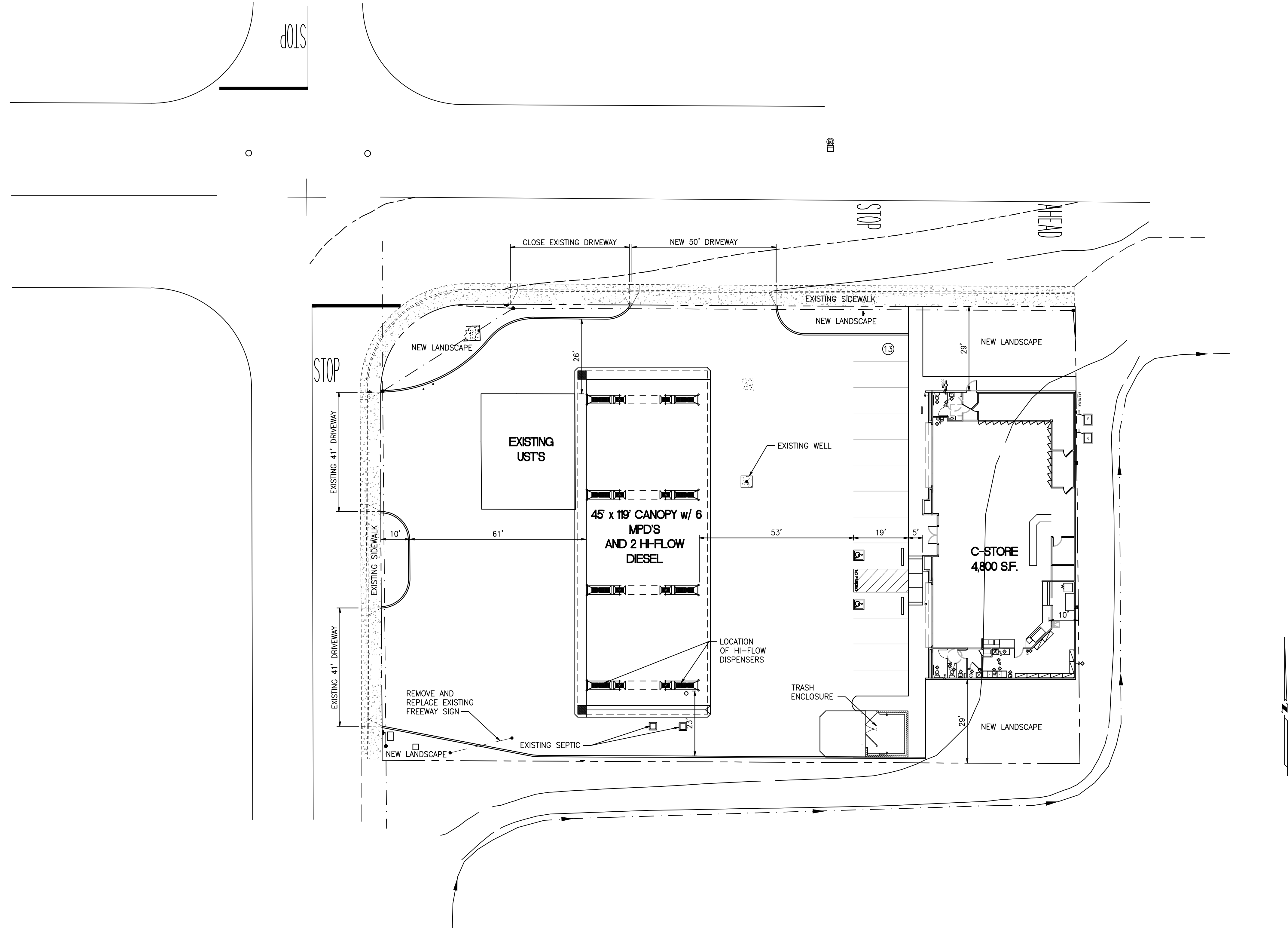
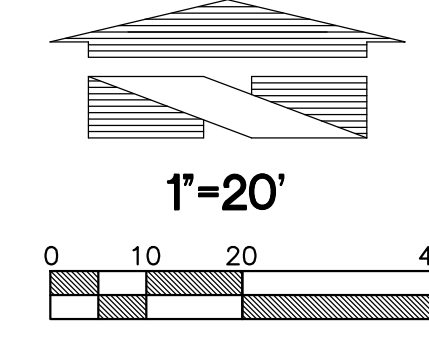


# PRELIMINARY SITE PLAN



Preliminary Not For Construction

Job Number <b>TBD</b>	18215 72ND AVENUE SOUTH KENT, WA 98032 (425)251-6222 (425)251-8782 FAX	Designed <u>JR</u> Drawn <u>JR</u> Checked <u>PT</u> Approved _____ Date 06/12/14	Scale: Horizontal 1" = 20' Vertical	For: <b>HAJI ALAM 390 GOBBI STREET UKIAH, CALIFORNIA</b>	Title: <b>PRELIMINARY SITE PLAN EXPRESS MART 29029 COUNTY ROAD 6 DUNNINGAN, CALIFORNIA</b>
Sheet <b>SP-1</b>			CIVIL ENGINEERING, LAND PLANNING, SURVEYING, ENVIRONMENTAL SERVICES	Revision No. Date By Cld. Appr.	

File: \\jramos\dunningan\dunningan SP-1.dwg Date/Time: 8/6/2015 2:40 PM Scale: 1:368863 JRAMOS Xref: -----